

Rechargeable Visual Fault Locator



Features

2.5mm universal connector

18650 Lithium battery 3.7V 2200mAh

Interface drop-proof and dust-proof design

Lighting LED

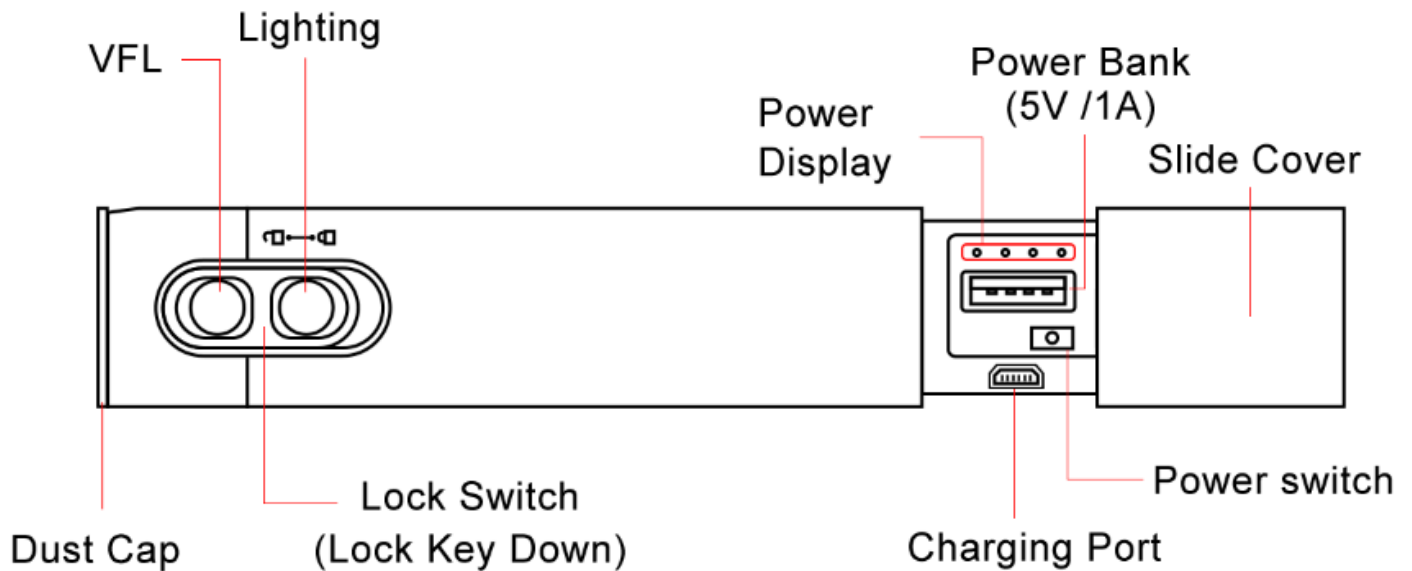
Totally comply with the human engineering design. Small, portable and durable



Integrated with continuous wave and 2Hz modulated wave output function

Specification

VFL Wavelength	650nm±15nm
VFL Output Power	10/20/30/50mW
VFL Flashing Frequency	2Hz
Connector	2.5mm universal connector
LED	4LED (50mW)
Battery	18650 Lithium battery 3.7V 2200mAh
Mobile Power	Output 5V/1A
Packaging Size	37*39*147mm
Weight	165g

Description



Lock switch:  unlock the button;  lock the button.

VFL: Press VFL key circularly to enter into the three states, CW-GLINT-OFF.

Lighting: Press Lighting key to turn on the lighting LED; Press Lighting key for 2 seconds to enter into the SOS flashing mode.

Power Display: Press Power Switch key, indicator shows the battery power; Press twice quickly to turn off the indicator.

Power Bank (5V/1A): Device will be charged if USB connected, 2200mAh large-capacity lithium battery reverse charging (when using power bank, turn on the Power Switch).