



PARMA 21D

SELF PROPELLED AERIAL PLATFORM, ARTICULATED & TELESCOPIC. DIESEL, FOR WORKING HEIGHTS UP TO 21 METER (68,89 FEET)

STANDARD MODEL:

- * Platform with diferent motorizations
- * Electronic level
- * Emergency lowering from the basket
- * Steel Basket (1,8 x 0,8) m
- * Proportional controls
- * Oscilating axle
- * 4x4 wheel drive & 4 wheel steering with 3 positions
- * Basket rotation 180°
- * Load sensor in basket
- * Hourmeter
- * Hydraulic stabilizers



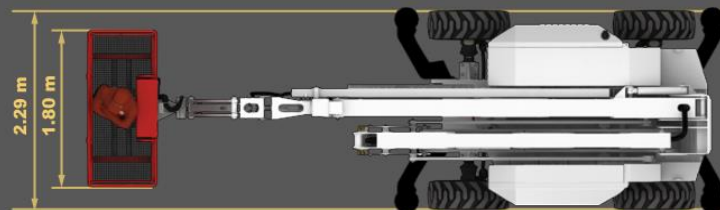
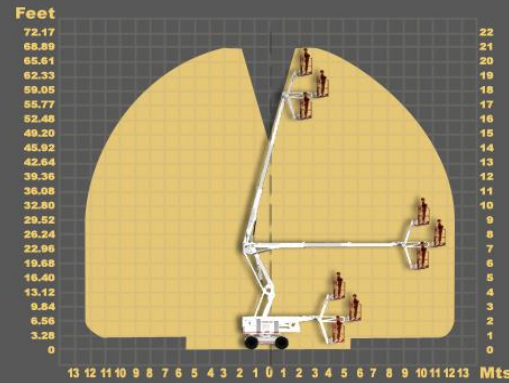
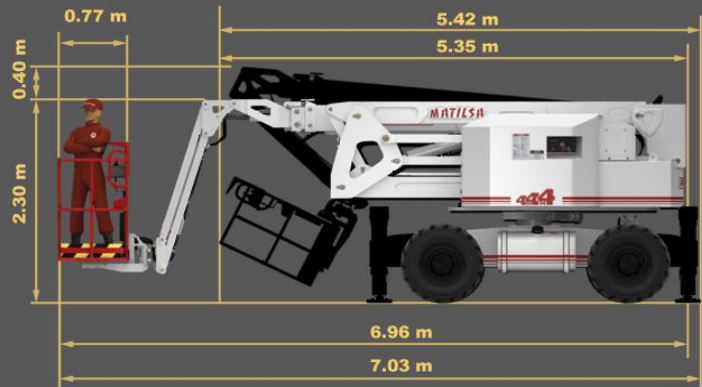
Management System
ISO 9001:2008
www.tuv.com
ID 9105060482



PARMA 210



PARMA 210



Net price for optional accessories

- 1 Electric outlet in basket
- 2 Quick outlet for air and water
- 3 Rotating light
- 4 Automatic leveling



Kg
 10.000

225 kg